



EMC TEST REPORT

Prepared by : SHENZHEN POCE TECHNOLOGY CO., LTD.
Address : H Building, Hongfa Science and Technology Park, Tangtou,
Shiyan, Bao'an District, Shenzhen, China

Report No. : POCE18121815LRE
Date of Receiver : Dec. 18, 2018
Number of tested samples : 1
Serial number : Prototype
Date of Test : Dec. 18, 2018–Dec. 24, 2018
Date of Report : Dec. 24, 2018

Note: This test report is limited to the above client company and the product model only. It may not be duplicated without prior written consent of Shenzhen POCE Technology Co., Ltd

TABLE OF CONTENT

Description	Page
Test Report Description	
1. GENERAL INFORMATION	4
1.1. Description of Device (EUT).....	4
1.2. Test results summary	5
1.3. Test Methodology	5
1.4. Test Facility	5
2. MEASURING DEVICE AND TEST EQUIPMENT	6
2.1. For Power Line Conducted Emission	6
2.2. For Radiated Emission Measurement	6
2.3. For Harmonic Current / Flicker Measurement.....	6
2.4. For Electrostatic Discharge Immunity Test	6
2.5. For RF Strength Susceptibility Test	7
2.6. For Electrical Fast Transient /Burst Immunity Test.....	7
2.7. For Surge Immunity Test.....	7
2.8. For Injected Current Susceptibility Test.....	7
2.9. For Magnetic Field Immunity Test.....	7
2.10. For Voltage Dips and Interruptions Test.....	7
3. POWER LINE CONDUCTED EMISSION MEASUREMENT	8
3.1. Block Diagram of Test Setup.....	8
3.2. Measuring Standard	8
3.3. EUT Configuration on Measurement.....	8
3.4. Test Procedure	8
4. RADIATED EMISSION MEASUREMENT.....	9
4.1. Block Diagram of Test.....	9
4.2. Measuring Standard	9
4.3. EUT Configuration on Test.....	9
4.4. Test Procedure	10
5. HARMONIC CURRENT EMISSION MEASUREMENT.....	13
5.1 Block Diagram of Test Setup.....	13
5.2 Measuring Standard.....	13
5.3 Description of test Equipment.....	13
6.VOLTAGE FLUCTUATION AND FLICKER MEASUREMENT	14
6.1 Block Diagram of Test Setup.....	14
6.2 Measuring Standard	14
7. ELECTROSTATIC DISCHARGE IMMUNITY TEST	15
7.1 Block Diagram of Test Setup	15
7.2 Test Standard	15
7.3 Severity Levels and Performance Criterion	15
7.4 Test Procedure	16
8. RF FIELD STRENGTH SUSCEPTIBILITY TEST	18
8.1 Block Diagram of Test.....	18
8.2 Test Standard.....	18
8.3 Test Procedure	19
9. ELECTRICAL FAST TRANSIENT/BURST IMMUNITY TEST	21
9.1 Block Diagram of Test Setup	21
9.2 Test Standard	21
9.3 Severity Levels and Performance Criterion	21
9.4 Test Procedure	22

10. SURGE IMMUNITY TEST.....	23
10.1 Block Diagram of Test Setup	23
10.2 Test Standard	23
10.3 Severity Levels and Performance Criterion	23
10.4 Test Procedure.....	24
10.5 Test Results	24
11. INJECTED CURRENTS SUSCEPTIBILITY TEST	25
11.1 Block Diagram of Test Setup.....	25
11.2 Test Standard	25
11.3 Severity Levels and Performance Criterion.....	25
11.4 Test Procedure	26
12. MAGNETIC FIELD SUSCEPTIBILITY TEST	27
12.1 Block Diagram of Test	27
12.2 Test Standard	27
12.3 Severity Levels and Performance Criterion	27
12.4 Test Procedure.....	27
13. VOLTAGE DIPS AND INTERRUPTIONS TEST	29
13.1 Block Diagram of Test Setup	29
13.2 Test Standard	29
13.3 Severity Levels and Performance Criterion	30
13.4 Test Procedure.....	30
13.5 Test Result.....	30
14. PHOTOGRAPHS OF TEST.....	31
15. PHOTOGRAPHS OF EUT.....	32
16. MANUFACTURER/ APPROVAL HOLDER DECLARATION.....	32

1. GENERAL INFORMATION

1.1. Description of Device (EUT)

EUT : Wireless Charger

Trade Name : N/A

Model : C12-10W

Supplementary Model : /

Test Voltage : DC 5V

Rating : Input: DC 5V, 2A; DC 9V, 1.7A
Output: DC 5V, 1A; DC 9V, 1.1A

Applicant :


Address :


Manufacturer :

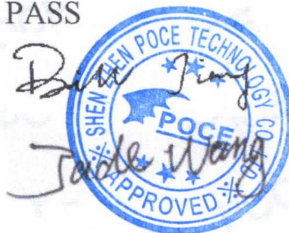
Address :

Test Standards : EN 55032:2015
EN 55035:2017
EN 61000-3-2:2014
EN 61000-3-3:2013

Test Result : PASS

Test Engineer : 

Reviewed By : 



1.2. Test results summary

Test Items	Test Results
Power Line Conducted Emission Test	N/A
Radiated Emission	PASS
Harmonic Current	N/A
Voltage Fluctuation And Flicker	N/A
Electrostatic Discharge Immunity	PASS
Radiated Electromagnetic Fields Immunity	PASS
Electric Fast Transient Burst Immunity	N/A
Surge Immunity	N/A
Injected Currents Susceptibility Test	N/A
Voltage Dips And Interruptions Immunity	N/A
Broad bandimpulse noise disturbances, repelitive	N/A
Broad bandimpulse noise disturbances, isolatad	N/A

Note: N/A means this test item is not applicable for this device.

1.3. Test Methodology

All measurements contained in this report were conducted with CISPR 16-1, radio disturbance and immunity measuring apparatus, and CISPR16-2, Method of measurement of disturbances and immunity.

All measurement required was performed at laboratory of Shenzhen POCE Technology Co., Ltd., at H Building, Hongfa Science and Technology Park, Tangtou, Shiyan, Bao'an District, Shenzhen, China

1.4. Test Facility

The test facility is recognized, certified, or accredited by the following organizations:

CNAS Registration Number. is L8229

The facility also complies with the radiated and AC line conducted test site criteria set forth in CISPR 16-1, CISPR16-2.

2. MEASURING DEVICE AND TEST EQUIPMENT

2.1. For Power Line Conducted Emission

Item	Equipment	Manufacturer	Model No.	Factory Number	Last Cal.
1.	Test Receiver	Rohde & Schwarz	ESPI TEST RECEIVER	ID:1164.6607K03-102109-MH	Dec. 28, 2017
2.	L.I.S.N	Rohde & Schwarz	ESH3-Z5.831.5518.52	9561-G071	Dec. 28, 2017
3.	50ΩCoaxial Switch	Anritsu	MP59B	M20531	N/A
4.	Pulse Limiter	SCHWARZ BECK	VTSD 9561-F Pulse limiter 10dB Ateennator	561-G071	Dec. 28, 2017
5.	Cable	SCHWARZ BECK	N/A	N/A	Dec. 28, 2017

2.2. For Radiated Emission Measurement

Item	Equipment	Manufacturer	Model No.	Factory Number	Last Cal.
1.	Test Receiver	Rohde & Schwarz	ESPI TEST RECEIVER	ID:1164.6607K03-102109-MH	Dec. 28, 2017
2.	Bilog Antenna	Sunol Sciences	Model JB6 Antenna	A090414	Dec. 28, 2017
3.	50ΩCoaxial Switch	Anritsu	MP59B	M20531	N/A
4.	control	Positioning Controller	Model MF-7802	MF780208362	Dec. 28, 2017
5.	Cable	SCHWARZ BECK	N/A	N/A	Dec. 28, 2017
6.	Cable	SCHWARZ BECK	N/A	N/A	Dec. 28, 2017

2.3. For Harmonic Current / Flicker Measurement

Item	Equipment	Manufacturer	Model No.	Factory Number	Last Cal.
1.	Coupling decoupling network	SCHAFFNER	M016	20812	Dec. 28, 2017
2.	PC	N/A	P2L97	N/A	Dec. 28, 2017

2.4. For Electrostatic Discharge Immunity Test

Item	Equipment	Manufacturer	Model No.	Factory Number	Last Cal.
1.	ESD Tester	Prima	ESD61002A	144305	Dec. 28, 2017

2.5. For RF Strength Susceptibility Test

Item	Equipment	Manufacturer	Model No.	Factory Number	Last Cal.
1.	Signal Generator	HP	8648A	3625U00573	Dec. 28, 2017
2.	Amplifier	AR	500A100	17034	NCR
3.	Amplifier	AR	100W/1000M1	17028	NCR
4.	Isotropic Field Monitor	AR	FM2000	16829	NCR
5.	Isotropic Field Probe	AR	FP2000	16755	Dec. 28, 2017
6.	Biconic Antenna	EMCO	3108	9507-2534	NCR
7.	Log-periodic Antenna	AR	AT1080	16812	NCR
8.	PC	N/A	486DX2	N/A	N/A

2.6. For Electrical Fast Transient /Burst Immunity Test

Item	Equipment	Manufacturer	Model No.	Factory Number	Last Cal.
1.	Burst Tester	HTEC	HEFT 51	144303	Dec. 28, 2017
2.	Coupling Clamp	HTEC	IP-4A	147147	Dec. 28, 2017

2.7. For Surge Immunity Test

Item	Equipment	Manufacturer	Model No.	Factory Number	Last Cal.
1.	Surge Tester	HTEC	HCWG	144302	Dec. 28, 2017

2.8. For Injected Current Susceptibility Test

Item	Equipment	Manufacturer	Model No.	Factory Number	Last Cal.
1.	Simulator	EMTEST	CWS500C	0900-12	Dec. 28, 2017
2.	CDN	EMTEST	CDN-M2	5100100100	Dec. 28, 2017
3.	CDN	EMTEST	CDN-M3	0900-11	Dec. 28, 2017
4.	Injection Clamp	EMTEST	F-2031-23MM	368	Dec. 28, 2017
5.	Attenuator	EMTEST	ATT6	0010222A	Dec. 28, 2017

2.9. For Magnetic Field Immunity Test

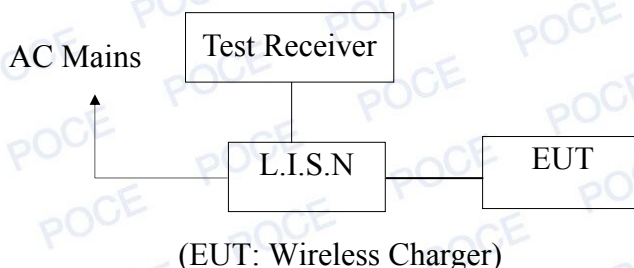
Item	Equipment	Manufacturer	Model No.	Factory Number	Last Cal.
1.	Magnetic Field Tester	HTEC	HPFM T	144301	Dec. 28, 2017

2.10. For Voltage Dips and Interruptions Test

Item	Equipment	Manufacturer	Model No.	Factory Number	Last Cal.
1.	Dips Tester	HTEC	HPFS	144304	Dec. 28, 2017

3. POWER LINE CONDUCTED EMISSION MEASUREMENT

3.1. Block Diagram of Test Setup



3.2. Measuring Standard

EN 55032:2015

Power Line Conducted Emission Limits (Class B)

Frequency (MHz)	Limit (dB μ V)	
	Quasi-Peak Level	Average Level
0.15 ~ 0.50	66.0 ~ 56.0 *	56.0 ~ 46.0 *
0.50 ~ 5.00	56.0	46.0
5.00 ~ 30.00	60.0	50.0

NOTE1-The lower limit shall apply at the transition frequencies.
NOTE2-The limit decreases linearly with the logarithm of the frequency in the range 0.15MHz to 0.50MHz.

3.3. EUT Configuration on Measurement

The following equipments are installed on Conducted Emission Measurement to meet EN55032 requirements and operating in a manner which tends to maximize its emission characteristics in a normal application.

3.4. Test Procedure

The EUT is put on the plane 0.8m high above the ground by insulating support and connected to the AC mains through Line Impedance Stability Network (L.I.S.N). This provided a 50ohm coupling impedance for the tested equipments. Both sides of AC line are investigated to find out the maximum conducted emission according to the EN55032 regulations during conducted emission measurement.

The bandwidth of the field strength meter (R&S Test Receiver ESCS30) is set at 9KHz in 150KHz~30MHz and 200Hz in 9KHz~150KHz.

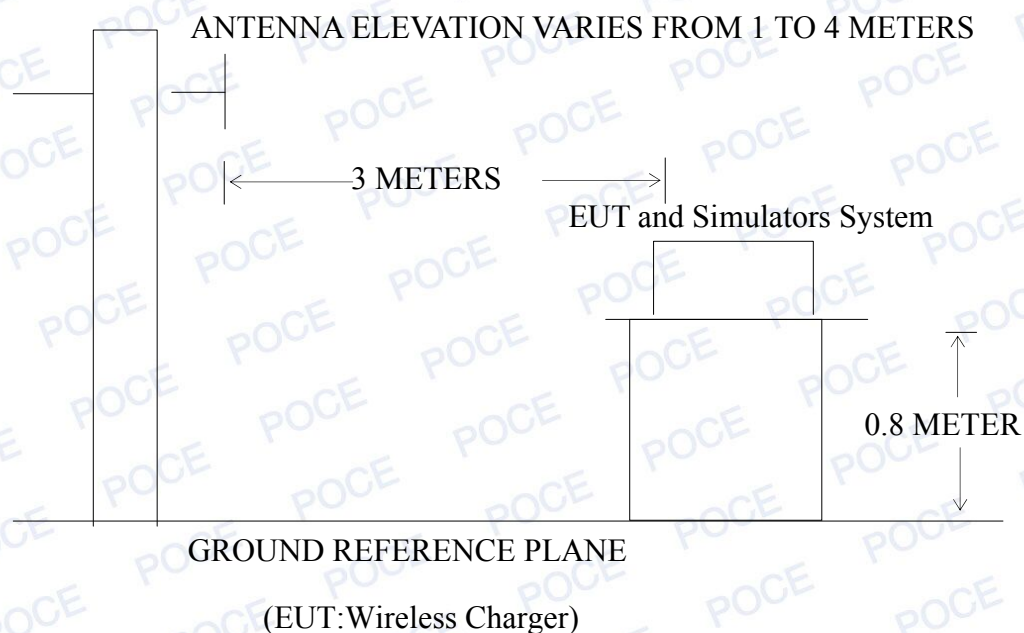
The frequency range from 150kHz to 30MHz is investigated .

Conduction Uncertainty: $U_c = \pm 2.72$ dB

4. RADIATED EMISSION MEASUREMENT

4.1. Block Diagram of Test

4.1.1. Block diagram of test setup (In chamber)



4.2. Measuring Standard

EN 55032:2015

Radiated Emission Limits

All emanations from a class B device or system, including any network of conductors and apparatus connected thereto, shall not exceed the level of field strengths specified below:

FREQUENCY (MHz)	DISTANCE (Meters)	FIELD STRENGTHS LIMIT (dB μ V/m)
30 ~ 230	3	40
230 ~ 1000	3	47

Note: (1) The smaller limit shall apply at the combination point between two frequency bands.

(2) Distance refers to the distance in meters between the measuring instrument antenna and the closed point of any part of the EUT.

4.3. EUT Configuration on Test

The EN55032 regulations test method must be used to find the maximum emission during radiated emission measurement.

4.4. Test Procedure

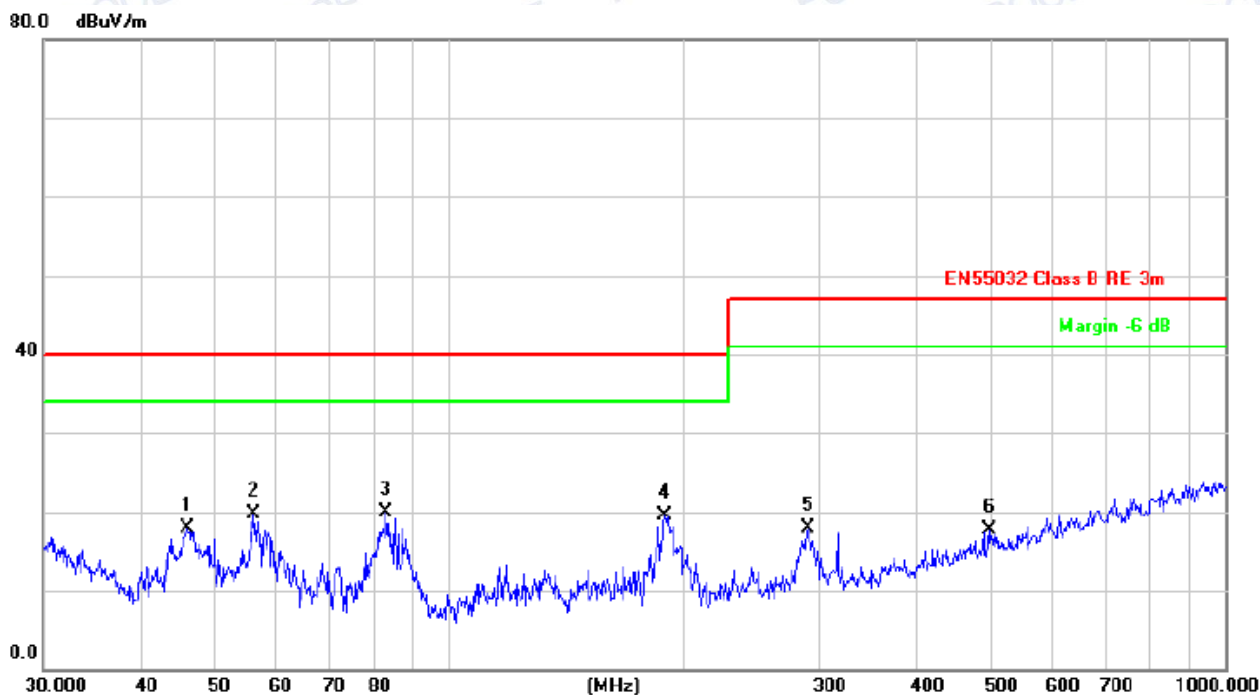
The EUT is placed on a turn table which is 0.8 meter high above the ground. The turn table can rotate 360 degrees to determine the position of the maximum emission level. The EUT is set 3 meters away from the receiving antenna which is mounted on a antenna tower. The antenna can be moved up and down from 1 to 4 meters to find out the maximum emission level. Bilog antenna (calibrated by Dipole Antenna) is used as a receiving antenna. Both horizontal and vertical polarization of the antenna are set on test.

The bandwidth of the Receiver (ESCS30) is set at 120kHz.
The frequency range from 30MHz to 1000MHz is investigated.

Radiation Uncertainty: $U_r = \pm 3.84$ dB

Radiated Emission Test Data

EUT	: Wireless Charger	Temperature:	20°C
M/N	: C12-10W	Humidity	: 50%
Test Voltage	: DC 5V	Test Mode	: Normal Working
Test Engineer	: Bill	Polarization	: Horizontal



No.	Mk.	Freq. MHz	Reading Level dBuV	Correct Factor dB/m	Measure- ment dBuV/m	Limit dBuV/m	Over dB	Antenna Height cm	Table Degree degree	Comment
1		46.0164	33.78	-15.84	17.94	40.00	-22.06	QP		
2		56.0007	38.55	-18.88	19.67	40.00	-20.33	QP		
3	*	82.9385	38.74	-18.79	19.95	40.00	-20.05	QP		
4		189.7385	33.85	-14.28	19.57	40.00	-20.43	QP		
5		290.0172	29.28	-11.40	17.88	47.00	-29.12	QP		
6		495.9344	24.04	-6.41	17.63	47.00	-29.37	QP		

Radiated Emission Test Data

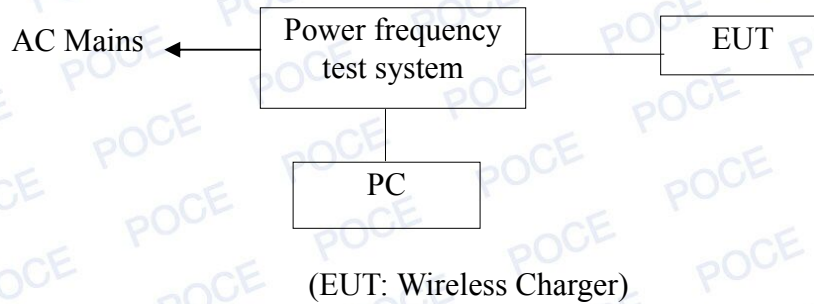
EUT	: Wireless Charger	Temperature:	20°C
M/N	: C12-10W	Humidity	: 50%
Test Voltage	: DC 5V	Test Mode	: Normal Working
Test Engineer	: Bill	Polarization	: Vertical



No.	Mk.	Freq.	Reading Level	Correct Factor	Measurement	Limit	Over	Antenna Height	Table Degree	
		MHz	dBuV	dB/m	dBuV/m	dBuV/m	dB	cm	degree	Comment
1	*	66.9669	53.31	-18.78	34.53	40.00	-5.47	QP		
2		82.6482	46.74	-18.61	28.13	40.00	-11.87	QP		
3		128.5630	40.14	-12.39	27.75	40.00	-12.25	QP		
4		190.4050	35.99	-14.35	21.64	40.00	-18.36	QP		
5		301.4224	32.92	-11.42	21.50	47.00	-25.50	QP		
6		45.2165	50.11	-16.33	33.78	40.00	-6.22	QP		

5. HARMONIC CURRENT EMISSION MEASUREMENT

5.1 Block Diagram of Test Setup



5.2 Measuring Standard

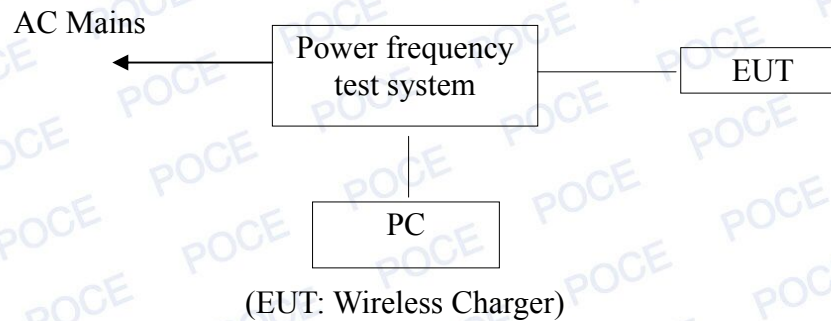
EN 61000-3-2: 2014

5.3 Description of test Equipment

Note: Equipment is less than 75W, no corresponding harmonic current limit.

6. VOLTAGE FLUCTUATION AND FLICKER MEASUREMENT

6.1 Block Diagram of Test Setup



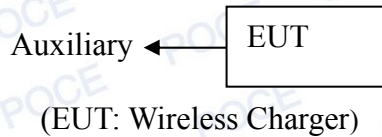
6.2 Measuring Standard

EN61000-3-3:2013

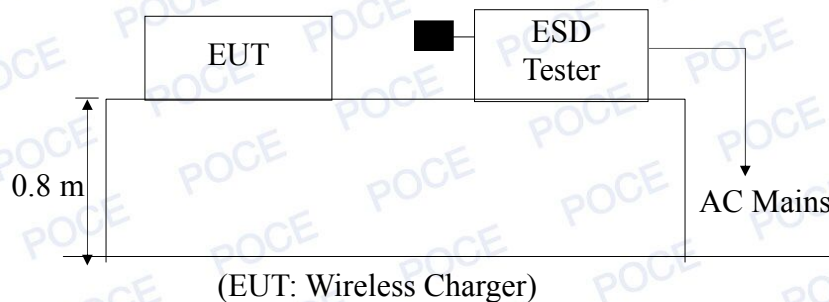
7. ELECTROSTATIC DISCHARGE IMMUNITY TEST

7.1 Block Diagram of Test Setup

7.1.1 Block Diagram of the EUT and the simulators



7.1.2 Block diagram of ESD test setup



7.2 Test Standard

EN 55035:2017

Severity Level: 3 / Air Discharge: $\pm 8\text{KV}$ Level: 2 / Contact Discharge: $\pm 4\text{KV}$)

7.3 Severity Levels and Performance Criterion

7.3.1 Severity level

Level	Test Voltage Contact Discharge (KV)	Test Voltage Air Discharge (KV)
1.	± 2	± 2
2.	± 4	± 4
3.	± 6	± 8
4.	± 8	± 15
X	Special	Special

7.3.2 Performance criterion: **B**

7.4 Test Procedure

7.4.1 Air Discharge:

This test is done on a non-conductive surface. The round discharge tip of the discharge electrode shall be approached as fast as possible to touch the EUT. After each discharge, the discharge electrode shall be removed from the EUT. The generator is then re-triggered for a new single discharge and repeated 10 times for each pre-selected test point. This procedure shall be repeated until all the air discharge completed.

7.4.2 Contact Discharge:

All the procedure shall be same as Section 7.4.1. except that the tip of the discharge electrode shall touch the EUT before the discharge switch is operated.

7.4.3 Indirect discharge for horizontal coupling plane

At least 10 single discharges (in the most sensitive polarity) shall be applied at the front edge of each HCP opposite the center point of each unit (if applicable) of the EUT and 0.1m from the front of the EUT. The long axis of the discharge electrode shall be in the plane of the HCP and perpendicular to its front edge during the discharge.

7.4.4 Indirect discharge for vertical coupling plane

At least 10 single discharge (in the most sensitive polarity) shall be applied to the center of one vertical edge of the coupling plane. The coupling plane, of dimensions 0.5m X 0.5m, is placed parallel to, and positioned at a distance of 0.1m from the EUT. Discharges shall be applied to the coupling plane, with this plane in sufficient different positions that the four faces of the EUT are completely illuminated.

Electrostatic Discharger Test Results

Standard	<input type="checkbox"/> IEC 61000-4-2 <input checked="" type="checkbox"/> EN 55035		
Applicant	ETyco Technology Co., Ltd.		
EUT	Wireless Charger	Temperature	24°C
M/N	C12-10W	Humidity	53%
Criterion	B	Pressure	1021mbar
Test Mode	Normal	Test Date	2018-12-20
Test Engineer	Nick		

Air Discharge						
Test Points	Test Levels			Results		
	± 2KV	?? 4KV	± 8KV	Passed	Fail	Performance Criterion
Front	<input checked="" type="checkbox"/>	<input checked="" type="checkbox"/>	<input checked="" type="checkbox"/>	<input checked="" type="checkbox"/>	<input type="checkbox"/>	<input type="checkbox"/> A <input checked="" type="checkbox"/> B
Back	<input checked="" type="checkbox"/>	<input checked="" type="checkbox"/>	<input checked="" type="checkbox"/>	<input checked="" type="checkbox"/>	<input type="checkbox"/>	<input type="checkbox"/> A <input checked="" type="checkbox"/> B
Left	<input checked="" type="checkbox"/>	<input checked="" type="checkbox"/>	<input checked="" type="checkbox"/>	<input checked="" type="checkbox"/>	<input type="checkbox"/>	<input type="checkbox"/> A <input checked="" type="checkbox"/> B
Right	<input checked="" type="checkbox"/>	<input checked="" type="checkbox"/>	<input checked="" type="checkbox"/>	<input checked="" type="checkbox"/>	<input type="checkbox"/>	<input type="checkbox"/> A <input checked="" type="checkbox"/> B
Top	<input checked="" type="checkbox"/>	<input checked="" type="checkbox"/>	<input checked="" type="checkbox"/>	<input checked="" type="checkbox"/>	<input type="checkbox"/>	<input type="checkbox"/> A <input checked="" type="checkbox"/> B
Bottom	<input checked="" type="checkbox"/>	<input checked="" type="checkbox"/>	<input checked="" type="checkbox"/>	<input checked="" type="checkbox"/>	<input type="checkbox"/>	<input type="checkbox"/> A <input checked="" type="checkbox"/> B

Contact Discharge						
Test Points	Test Levels		Results			
	± 2 kV	±4 kV	Passed	Fail	Performance Criterion	
Front	<input checked="" type="checkbox"/>	<input checked="" type="checkbox"/>	<input checked="" type="checkbox"/>	<input type="checkbox"/>	<input type="checkbox"/> A <input checked="" type="checkbox"/> B	
Back	<input checked="" type="checkbox"/>	<input checked="" type="checkbox"/>	<input checked="" type="checkbox"/>	<input type="checkbox"/>	<input type="checkbox"/> A <input checked="" type="checkbox"/> B	
Left	<input checked="" type="checkbox"/>	<input checked="" type="checkbox"/>	<input checked="" type="checkbox"/>	<input type="checkbox"/>	<input type="checkbox"/> A <input checked="" type="checkbox"/> B	
Right	<input checked="" type="checkbox"/>	<input checked="" type="checkbox"/>	<input checked="" type="checkbox"/>	<input type="checkbox"/>	<input type="checkbox"/> A <input checked="" type="checkbox"/> B	
Top	<input checked="" type="checkbox"/>	<input checked="" type="checkbox"/>	<input checked="" type="checkbox"/>	<input type="checkbox"/>	<input type="checkbox"/> A <input checked="" type="checkbox"/> B	
Bottom	<input checked="" type="checkbox"/>	<input checked="" type="checkbox"/>	<input checked="" type="checkbox"/>	<input type="checkbox"/>	<input type="checkbox"/> A <input checked="" type="checkbox"/> B	

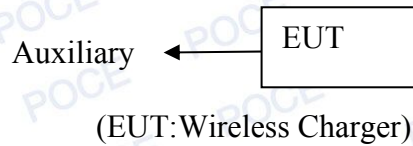
Discharge To Horizontal Coupling Plane						
Side of EUT	Test Levels		Results			
	± 2 kV	± 4 kV	Passed	Fail	Performance Criterion	
Front	<input checked="" type="checkbox"/>	<input checked="" type="checkbox"/>	<input checked="" type="checkbox"/>	<input type="checkbox"/>	<input type="checkbox"/> A <input checked="" type="checkbox"/> B	
Back	<input checked="" type="checkbox"/>	<input checked="" type="checkbox"/>	<input checked="" type="checkbox"/>	<input type="checkbox"/>	<input type="checkbox"/> A <input checked="" type="checkbox"/> B	
Left	<input checked="" type="checkbox"/>	<input checked="" type="checkbox"/>	<input checked="" type="checkbox"/>	<input type="checkbox"/>	<input type="checkbox"/> A <input checked="" type="checkbox"/> B	
Right	<input checked="" type="checkbox"/>	<input checked="" type="checkbox"/>	<input checked="" type="checkbox"/>	<input type="checkbox"/>	<input type="checkbox"/> A <input checked="" type="checkbox"/> B	

Discharge To Vertical Coupling Plane						
Side of EUT	Test Levels		Results			
	± 2 kV	± 4 kV	Passed	Fail	Performance Criterion	
Front	<input checked="" type="checkbox"/>	<input checked="" type="checkbox"/>	<input checked="" type="checkbox"/>	<input type="checkbox"/>	<input type="checkbox"/> A <input checked="" type="checkbox"/> B	
Back	<input checked="" type="checkbox"/>	<input checked="" type="checkbox"/>	<input checked="" type="checkbox"/>	<input type="checkbox"/>	<input type="checkbox"/> A <input checked="" type="checkbox"/> B	
Left	<input checked="" type="checkbox"/>	<input checked="" type="checkbox"/>	<input checked="" type="checkbox"/>	<input type="checkbox"/>	<input type="checkbox"/> A <input checked="" type="checkbox"/> B	
Right	<input checked="" type="checkbox"/>	<input checked="" type="checkbox"/>	<input checked="" type="checkbox"/>	<input type="checkbox"/>	<input type="checkbox"/> A <input checked="" type="checkbox"/> B	

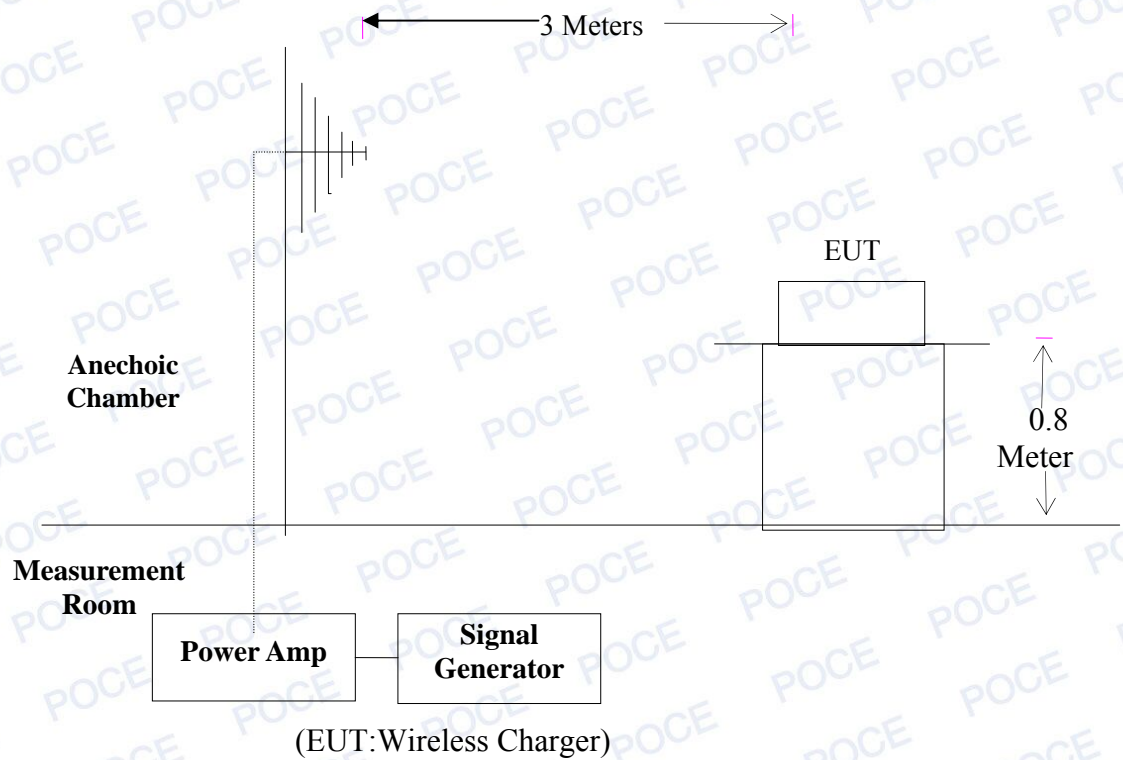
8. RF FIELD STRENGTH SUSCEPTIBILITY TEST

8.1 Block Diagram of Test

8.1.1 Block diagram of connection between the EUT and Load



8.1.2 Block diagram of RS test setup



8.2 Test Standard

EN 55035:2017
Severity Level 2 at 3V / m

Severity Levels and Performance Criterion

8.2.1 Severity Levels

Level	Field Strength V/m
1.	1
2.	3
3.	10
X	Special

8.2.2 Performance Criterion : A

8.3 Test Procedure

The EUT are placed on a table which is 0.8 meter high above the ground. The EUT is set 3 meters away from the transmitting antenna which is mounted on an antenna tower. Both horizontal and vertical polarization of the antenna are set on test. Each of the four sides of the EUT must be faced this transmitting antenna and measured individually.

In order to judge the EUT performance, a CCD camera is used to monitor its screen. All the scanning conditions are as following:

Condition of Test	Remark
1. Fielded Strength	3 V/m (Severity Level 2)
2. Radiated Signal	Modulated
3. Scanning Frequency	80 - 1000 MHz 1800MHz 2600MHz 3500MHz 5000MHz
4. Sweeping time of radiated	0.0015 decade/s
5. Dwell Time	1 Sec.

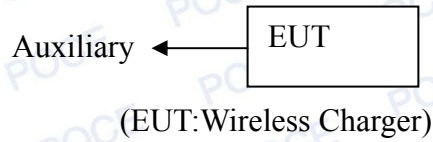
RF Field Strength Susceptibility Test Results

EUT	: Wireless Charger	Temperature	: 22℃
M/N	: C12-10W	Humidity	: 50 %
Test Voltage	: DC 5V	Test Mode	: Normal Working
Field Strength	: 3 V/m	Test Date	: 2018-12-20
Test Engineer:	Bill	Frequency Range:	80 MHz to1000 MHz
Modulation:		<input type="checkbox"/> None	<input type="checkbox"/> Pulse <input checked="" type="checkbox"/> AM 1KHz 80%
Frequency Rang 1:		Frequency Rang 2:	
80~ 1000MHz			
Steps	1 / %	# / %	
	Horizontal Vertical	Horizontal Vertical	
Front	PASS PASS		
Right	PASS PASS		
Rear	PASS PASS		
Left	PASS PASS		
Test Equipment : 1. Signal Generator : 2031 (MARCONI) 2. Power Amplifier : 500A100 & 100W/1000M1 (A&R) 3. Power Antenna : 3108 (EMCO) & AT1080 (A&R) 4. Field Monitor : FM2000 (A&R)			
Note: Note: (The Criterion) A:Normal performance within the specification limits; B:Temporary degradation or less of function or performance which is self-recoverable; C:Temporary degradation or loss of function or performance which requires operator intervention or system reset;			

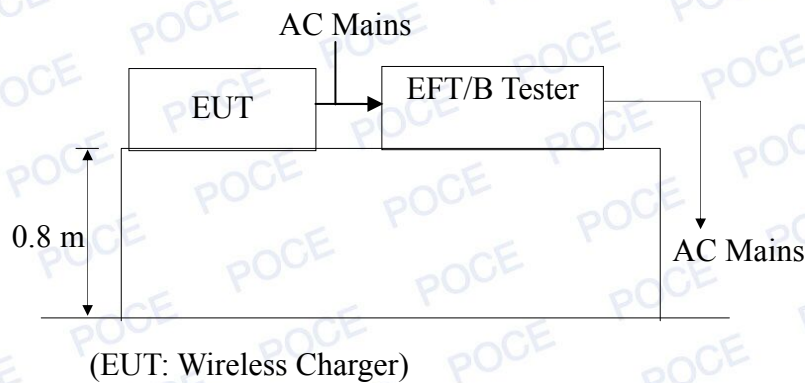
9. ELECTRICAL FAST TRANSIENT/BURST IMMUNITY TEST

9.1 Block Diagram of Test Setup

9.1.1. Block Diagram of the EUT



9.1.2. EFT Test Setup



9.2 Test Standard

EN 55035:2017
Severity Level 2 at 1KV

9.3 Severity Levels and Performance Criterion

9.3.1 Severity level

Level	Open Circuit Output Test Voltage $\pm 10\%$	
	On Power Supply Lines	On I/O (Input/Output) Signal data and control lines
1.	0.5 KV	0.25 KV
2.	1 KV	0.5 KV
3.	2 KV	1 KV
4.	4 KV	2 KV
X	Special	Special

9.3.2 Performance criterion : **B**

9.4 Test Procedure

The EUT is put on the table which is 0.8 meter high above the ground. This reference ground plane shall project beyond the EUT by at least 0.1m on all sides and the minimum distance between EUT and all other conductive structure, except the ground plane beneath the EUT, shall be more than 0.5m.

9.4.1 For input and output AC power ports:

The EUT is connected to the power mains by using a coupling device which couples the EFT interference signal to AC power lines. Both polarities of the test voltage should be applied during compliance test and the duration of the test is 2 mins.

9.4.2 For signal lines and control lines ports:

No I/O ports. It's unnecessary to test.

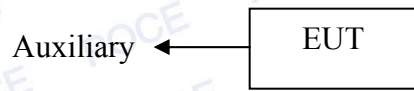
9.4.3 For DC output line ports:

It's unnecessary to test.

10. SURGE IMMUNITY TEST

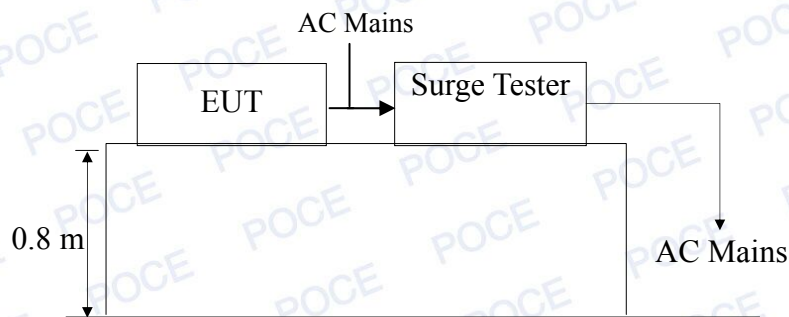
10.1 Block Diagram of Test Setup

10.1.1 Block Diagram of the EUT



(EUT: Wireless Charger)

10.1.2. Surge Test Setup



(EUT: Wireless Charger)

10.2 Test Standard

EN 55035:2017

Severity Level: Line to Line: Level 2, 1.0KV)

10.3 Severity Levels and Performance Criterion

10.3.1. Severity level

Severity Level	Open-Circuit Test Voltage KV
1	0.5
2	1.0
3	2.0
4	4.0
*	Special

10.3.2 Performance criterion : **B**

10.4 Test Procedure

- 1) Set up the EUT and test generator as shown on Section 10.1.2.
- 2) For line to line coupling mode, provide a 1.0 KV 1.2/50us voltage surge (at open-circuit condition) and 8/20us current surge to EUT selected points.
- 3) At least 5 positive and 5 negative (polarity) tests with a maximum 1/min repetition rate are conducted during test.
- 4) Different phase angles are done individually.
- 5) Record the EUT operating situation during compliance test and decide the EUT immunity criterion for above each test.

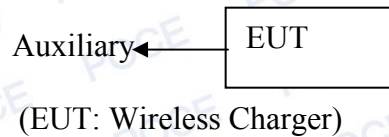
10.5 Test Results

N/A

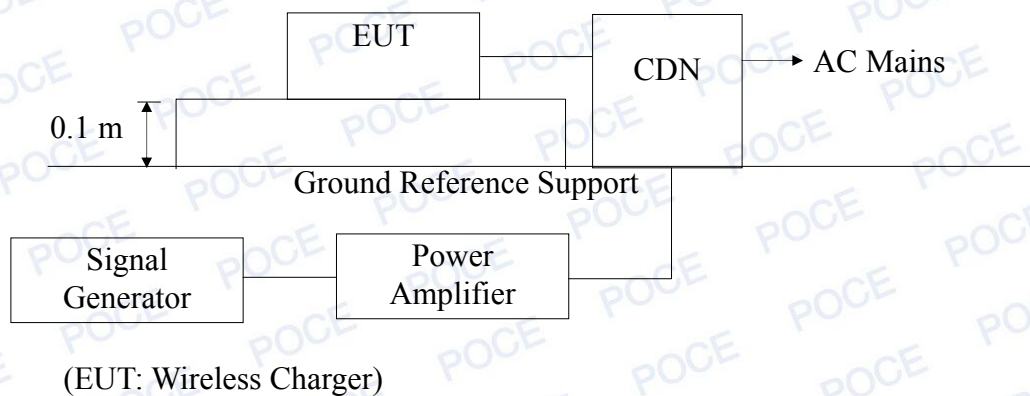
11. INJECTED CURRENTS SUSCEPTIBILITY TEST

11.1 Block Diagram of Test Setup

11.1.1 Block Diagram of the EUT



11.1.2 Block Diagram of Test Setup



11.2 Test Standard

EN 55035:2017

Severity Level 2 at 3V (rms), 0.15MHz ~ 10MHz

Severity Level 2 and Level 1 at 3 V to 1V (rms), 10MHz ~ 30MHz

Severity Level 1 at 1V (rms), 30 MHz ~ 80MHz

11.3 Severity Levels and Performance Criterion

11.3.1 Severity level

Level	Field Strength V
1	1
2	3
3	10
X	Special

11.3.2 Performance criterion: A

11.4 Test Procedure

- 1) Set up the EUT, CDN and test generators as shown on Section 11.1.2.
- 2) Let the EUT work in test mode and measure it.
- 3) The EUT are placed on an insulating support 0.1m high above a ground reference plane. CDN (coupling and decoupling device) is placed on the ground plane about 0.3m from EUT. Cables between CDN and EUT are as short as possible, and their height above the ground reference plane shall be between 30 and 50 mm (where possible).
- 4) The disturbance signal described below is injected to EUT through CDN.
- 5) The EUT operates within its operational mode(s) under intended climatic conditions after power on.
- 6) The frequency range is swept from 150KHz to 80MHz using 3V signal level, and with the disturbance signal 80% amplitude modulated with a 1KHz sine wave.
- 7) The rate of sweep shall not exceed 1.5×10^{-3} decades/s. Where the frequency is swept incrementally, the step size shall not exceed 1% of the start and thereafter 1% of the preceding frequency value.
- 8) Recording the EUT operating situation during compliance testing and decide the EUT immunity criterion.

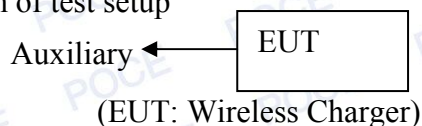
11.5 Test Results

N/A

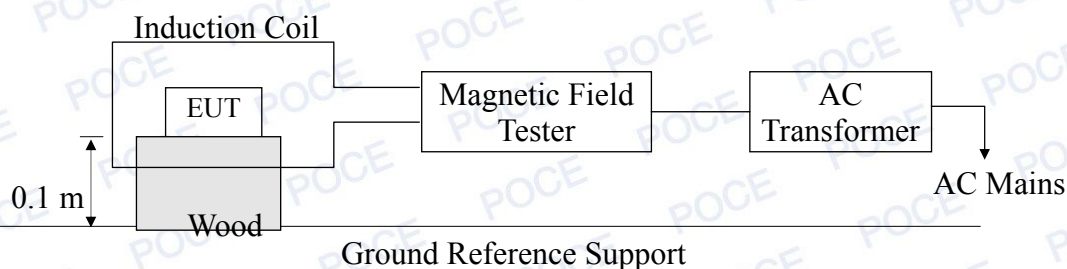
12. MAGNETIC FIELD SUSCEPTIBILITY TEST

12.1 Block Diagram of Test

12.1.1 Block diagram of test setup



12.1.2 Magnetic field test setup



12.2 Test Standard

EN 55035:2017 Severity Level: Level 1, 1A / m)

12.3 Severity Levels and Performance Criterion

12.3.1 Severity Levels

Level	Field Strength A/m
1	1
2	3
3	10
4	30
5	100
X	Special

12.3.2 Performance Criterion : A

12.4 Test Procedure

The EUT is placed in the middle of a induction coil (1*1m), under which is a 1*1*0.1m (high) table, this small table is also placed on a larger table, 0.8 m above the ground. Both horizontal and vertical polarization of the induction coil are set on test, so that each side of the EUT is affected by the magnetic field. Also can reach the same aim by change the position of the EUT.

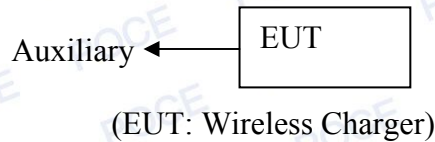
Magnetic Field Immunity Test Result

EUT	: Wireless Charger	Temperature:	20℃
M/N	: C12-10W	Humidity :	50%
Test Voltage	: DC 5V	Test Mode :	Normal Working
Test Engineer	: Bill	Test Date :	2018-12-20
Test Level (A/M)	Testing Duration	Coil Orientation	Result
1	5 mins	X	Pass
1	5 mins	Y	Pass
1	5 mins	Z	Pass
Test Level (A/M)	Testing Duration	Coil Orientation	Result
Test Equipment :Magnetic Field Tester Model: HPFM T			
Note: (The Criterion)			
A:Normal performance within the specification limits;			
B:Temporary degradation or less of function or performance which is self-recoverable;			
C:Temporary degradation or loss of function or performance which requires operator intervention or system reset;			

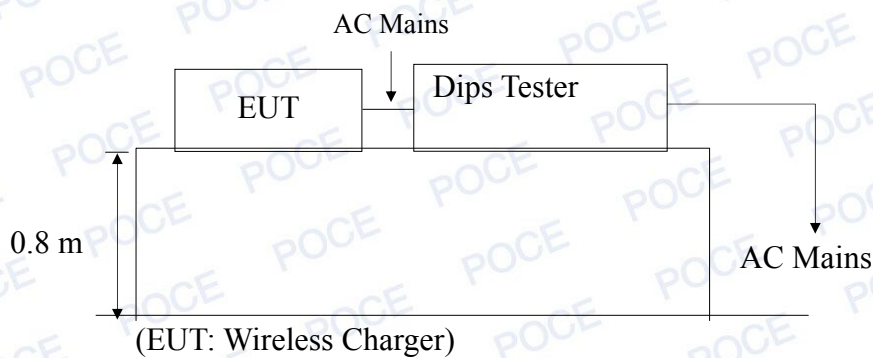
13. VOLTAGE DIPS AND INTERRUPTIONS TEST

13.1 Block Diagram of Test Setup

13.1.1 Block Diagram of the EUT



13.1.2 Dips Test Setup



13.2 Test Standard

EN 55035:2017

13.3 Severity Levels and Performance Criterion

13.3.1 Severity level

Test Level %UT	Voltage dip and short interruptions %UT	Duration (in period)
0	100	0.5 1
40	60	5 10
70	30	25 50 *

13.3.2 Performance criterion : **B&C&C**

13.4 Test Procedure

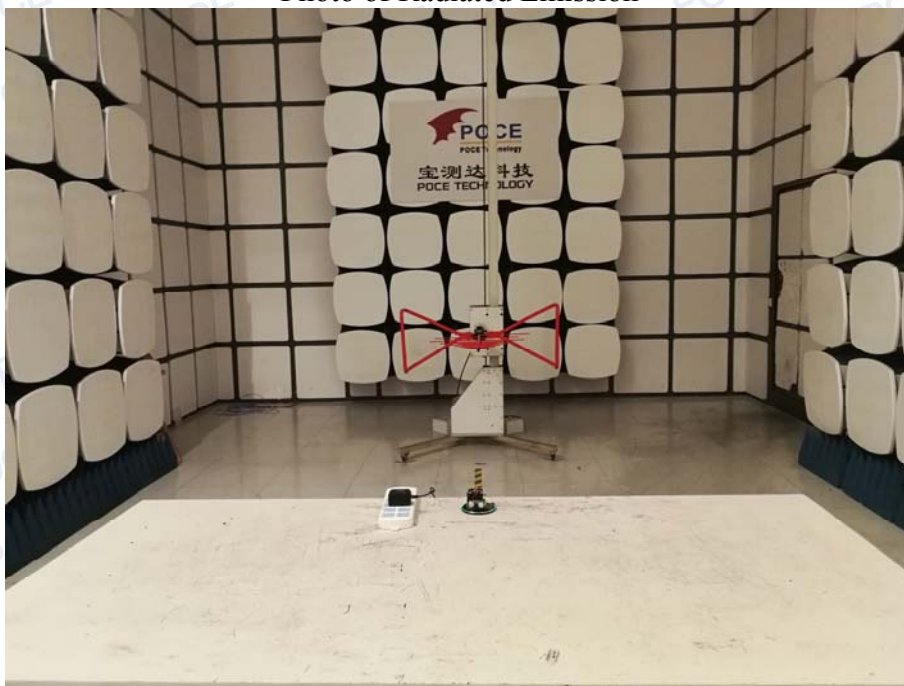
- 1) Set up the EUT and test generator as shown on Section 13.1.2.
- 2) The interruptions is introduced at selected phase angles with specified duration.
- 3) Record any degradation of performance.

13.5 Test Result

N/A

14. PHOTOGRAPHS OF TEST

Photo of Radiated Emission



15. PHOTOGRAPHS OF EUT



Fig.1



Fig.2



Fig.3

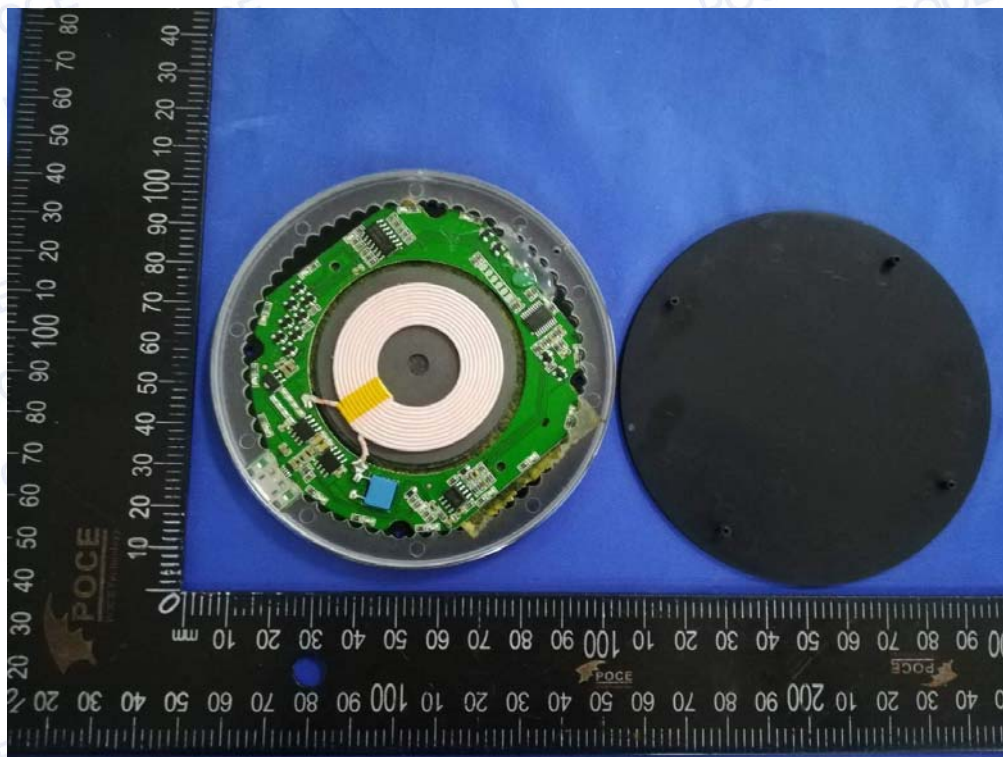


Fig.4

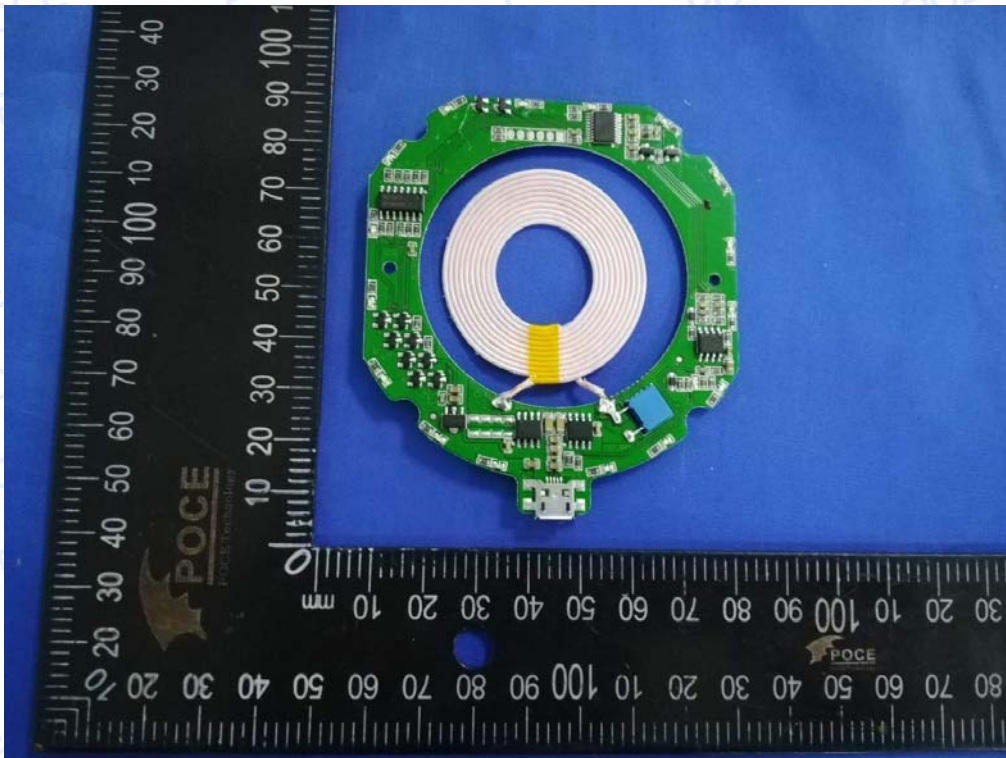


Fig.5

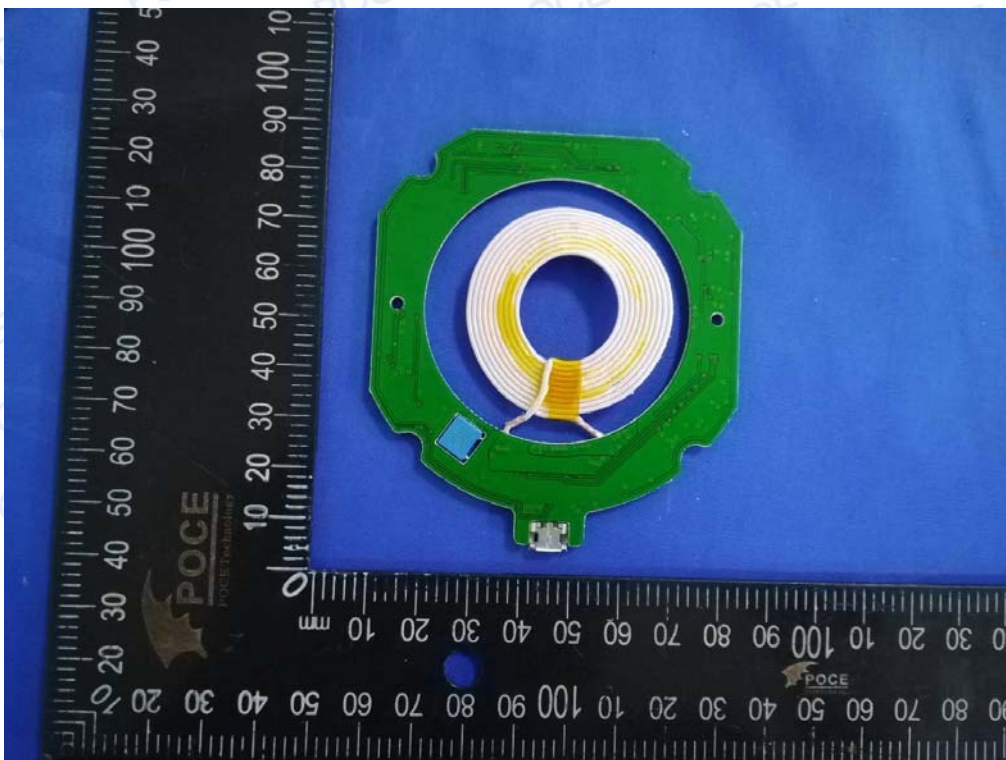


Fig.6

6. MANUFACTURER/ APPROVAL HOLDER DECLARATION

The following identical model(s):

C12-10W

Note: Model name only use for marking.

Belong to the tested device:

Product description	:	Wireless Charger
Model name	:	C12-10W

Remark: So no additional models tested.

*******THE END OF REPORT*******